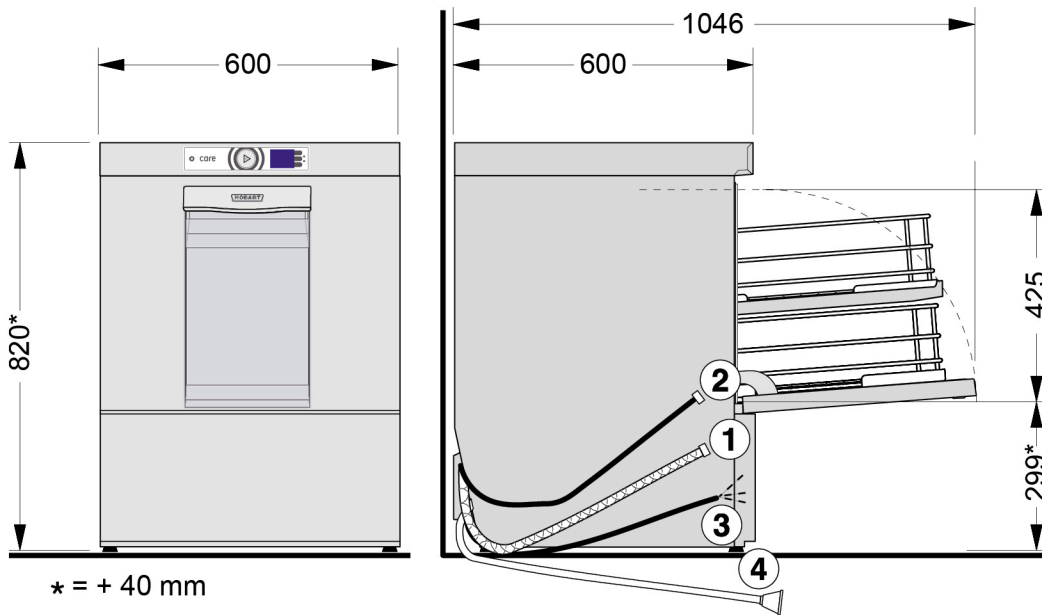


DRAWING



CONNECTIONS

① drain hose	2,000 mm ID20/AD25
② water supply hose	2,000 mm R3/4"
Flow pressure	0.8 – 10 bar
Max. supply temperature	60°C
Water throughput required	5 l/min
③ connection cable	2,000 mm
Suction hose for ④ liquid detergent ^{a)}	2,500 mm

^{a)} for machines with external containers